


LeDisplayCase
See in a different light

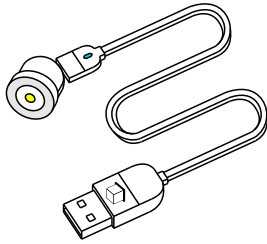
LED Base Assembly Instructions

 ledisplaycase.com

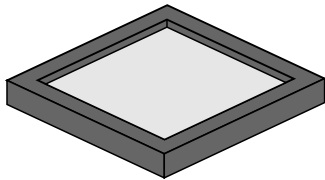
 [ledisplaycase](https://facebook.com/ledisplaycase)

 sales@ledisplaycase.com  [ledisplaycase](https://instagram.com/ledisplaycase)

Parts List



Braided Magnetic USB Cable (2m): 1 pc



LED Base: 1 pc

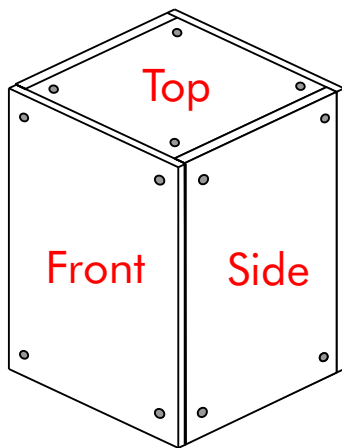
Fits one of the following Display Case dimensions based on your purchase

3.97" X 3.97" X 5.90" (10cm X 10cm X 15cm)
7.87" X 7.87" X 11.81" (20cm X 20cm X 30cm)
11.81" X 11.81" X 17.72" (30cm X 30cm X 45cm)

Assembly with Display Case

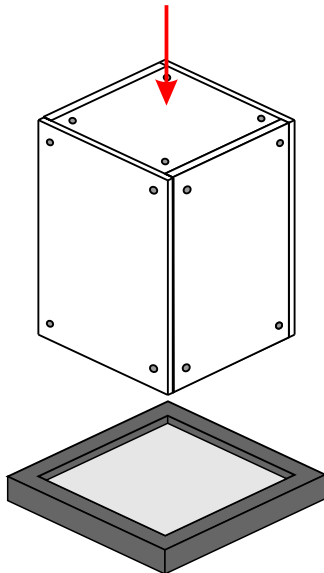
Complete the assembly of your display case step 3.1/3.2 of "Display Case Assembly Instructions" before proceeding.

Instructions can be found at:
ledisplaycase.com/manuals

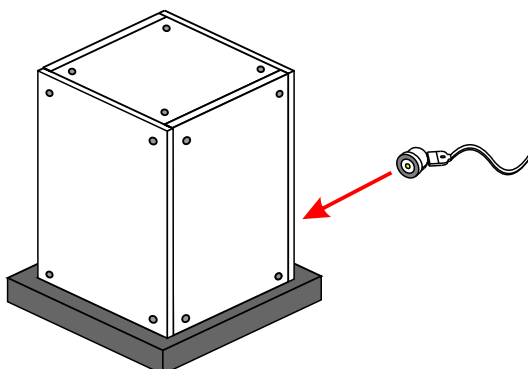


Ensure that all the protective plastic/paper sheet on every panel is removed before rotating the case back to its correct orientation.

The bottom acrylic panel included in the Display Case is **not** required for this assembly.



Place your figurine on the LED Base and put the case over the LED Base.



Connect the included magnetic power cable to the LED Base.

App Installation

Phone Requirements:

Bluetooth 4.0;

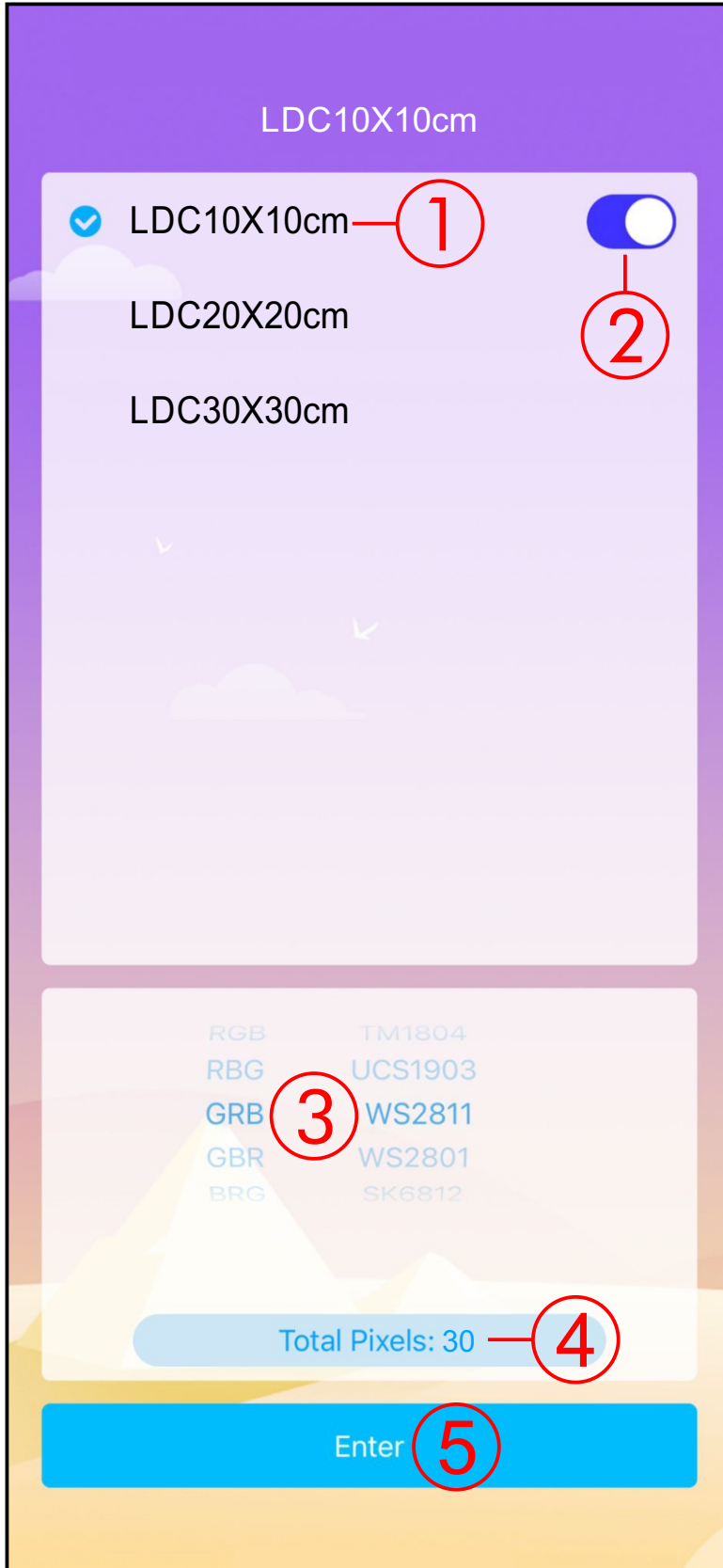
IOS version 10.0 or later;

Android OS version 4.4 or later;



App Name: LED Hue

Initial Configuration



1. LED Selector

Ensure your phone's bluetooth is turned on. Select name to connect to LED base.

The default name for all LED Base is "LDCxxXxxcm"
Long hold to rename.

2. On/Off Switch

Toggle switch to turn on/off the LED Base.

3. LED Type

The default preset LED type for all LED Base is "GRB, WS2811".

Once set, do not adjust this parameter.

4. Total LEDs

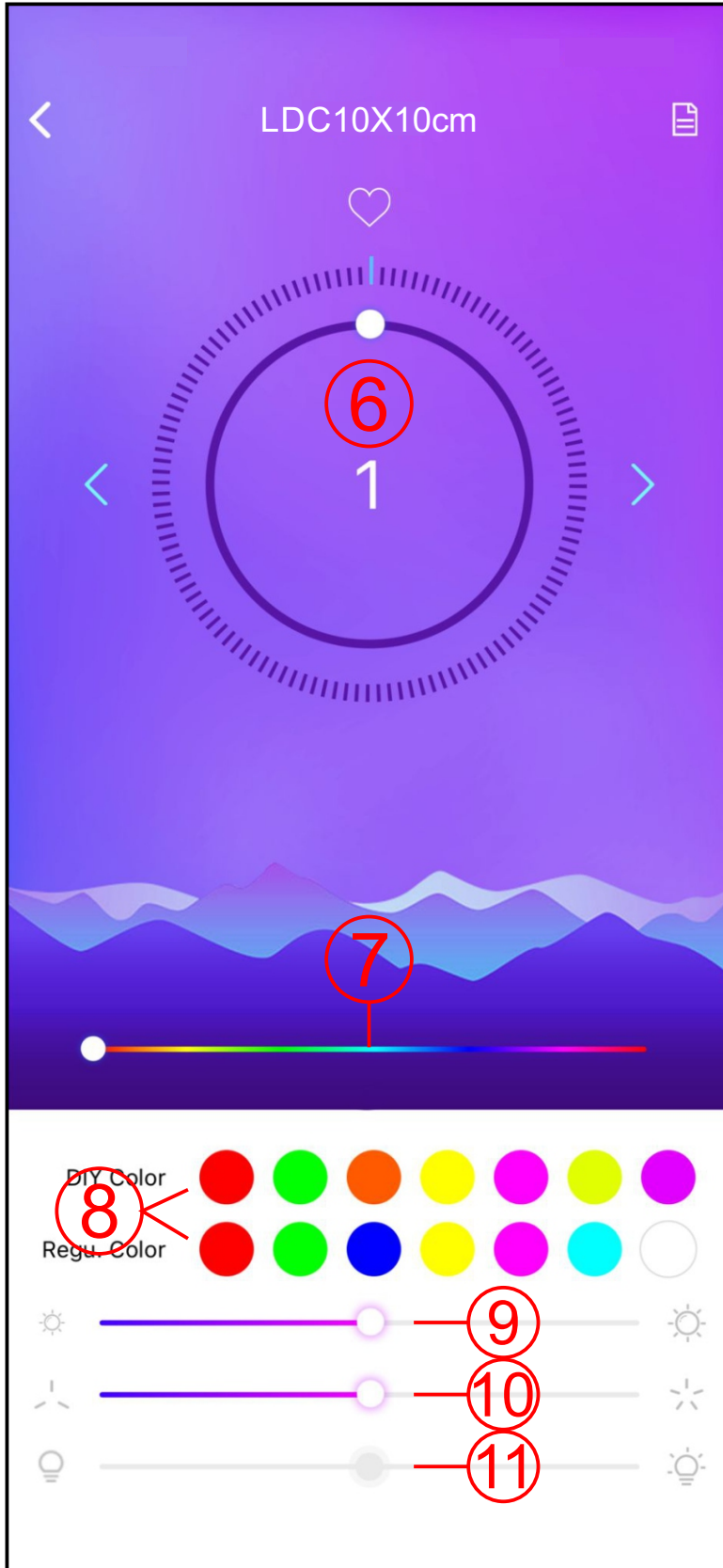
The total number of LEDs should already be preset by default as:

Base	LED Qty
10cm X 10cm 3.97" X 3.97"	30
20cm X 20cm 7.87" X 7.87"	54
30cm X 30cm 11.81" X 11.81"	78

Once set, do not adjust this parameter.

5. Proceed to next page

Lighting Adjustment



6. LED Effects

Select from 120 different lighting effects.

7. Solid LED Color Slider

Adjust the slider to choose a custom solid LED color.
Not applicable with lighting effects.

8. Solid LED Presets

Select from previously used colors or preset colors.

9. LED Brightness

Adjust the slider to adjust the brightness.

10. LED Effect Speed

Adjust the slider to adjust the speed of the LED lighting effect chosen.
Not applicable to solid LED colors.

11. Not used

Admire your Display Case

Your LED lit Display Case is now complete.

If you haven't done so, we recommend our Customised laser engraved back panel to make your figure a statement piece..

Find out more at
ledisplaycase.com